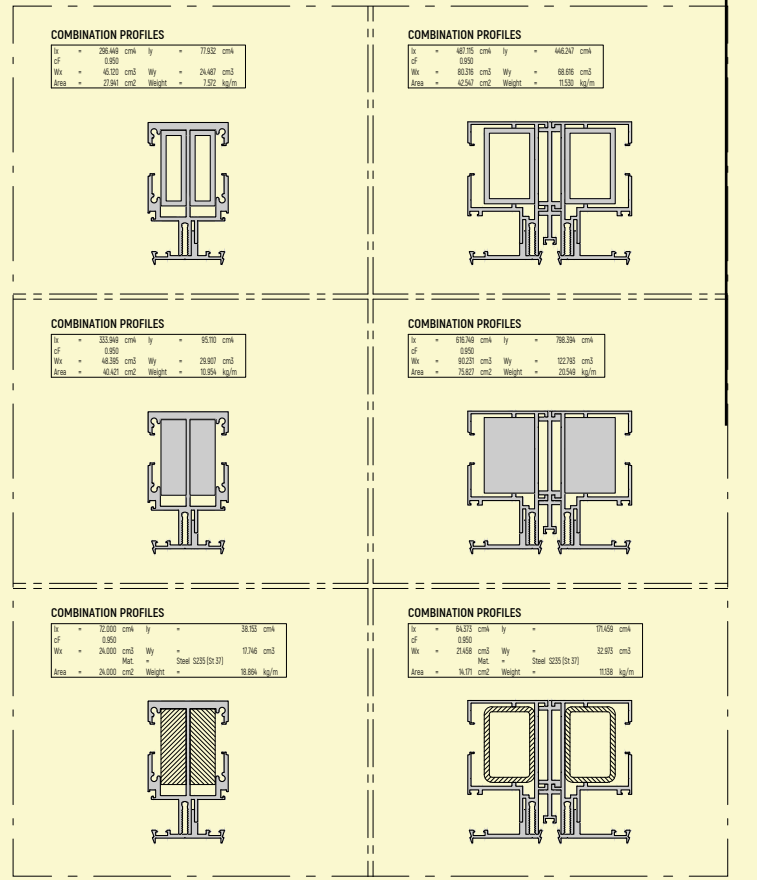
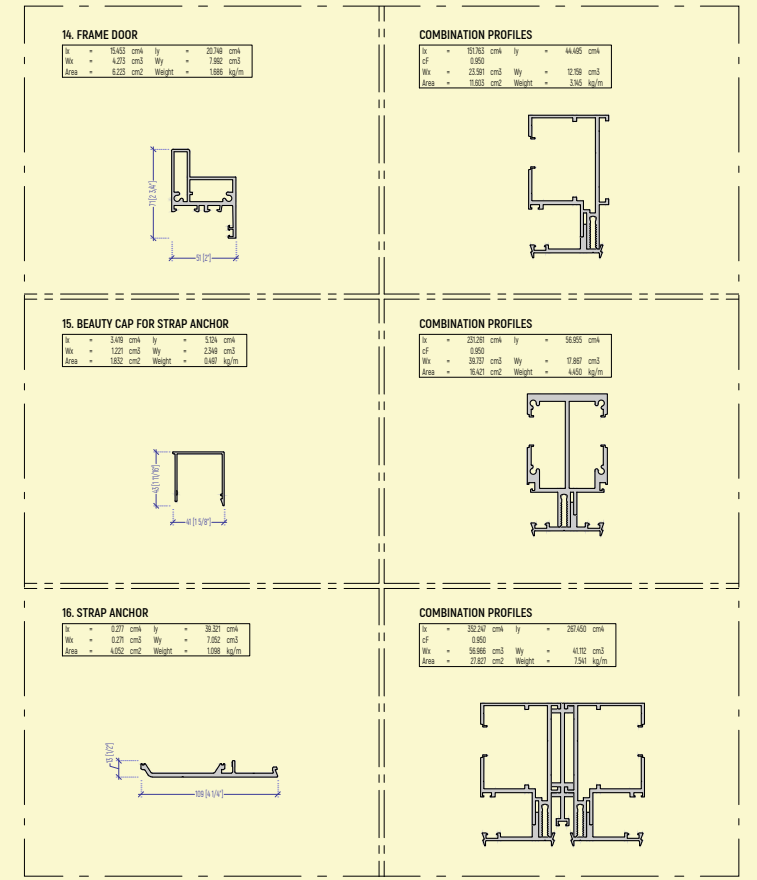
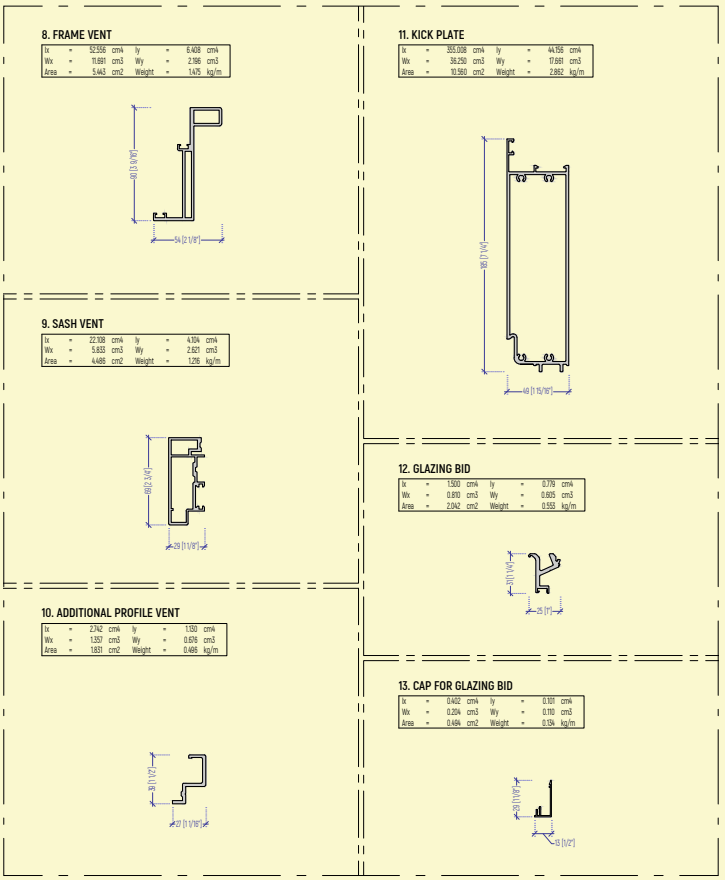
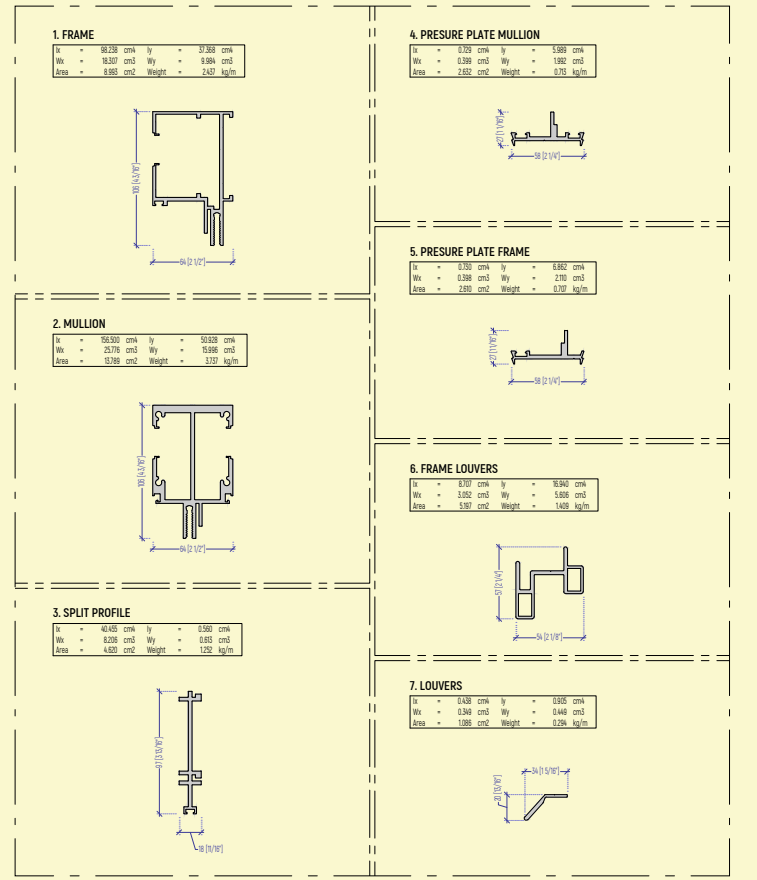
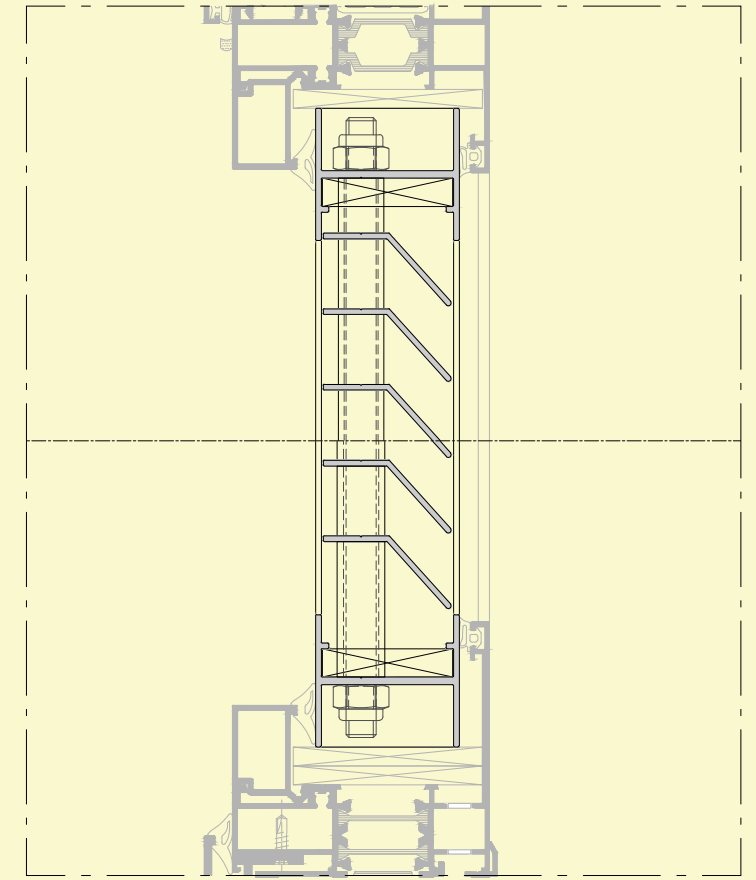
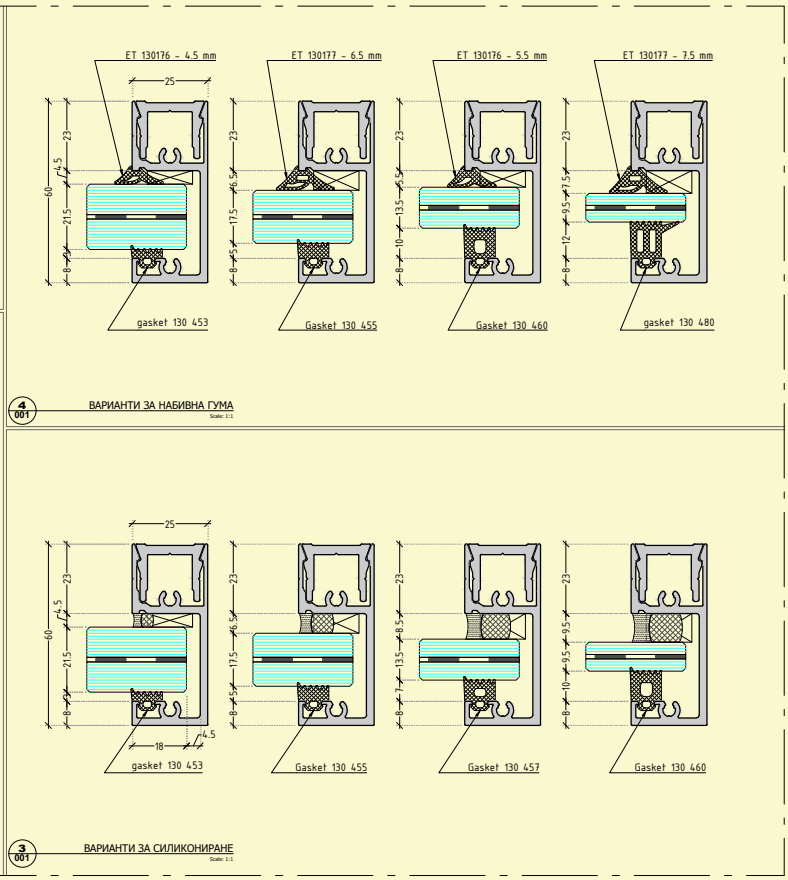
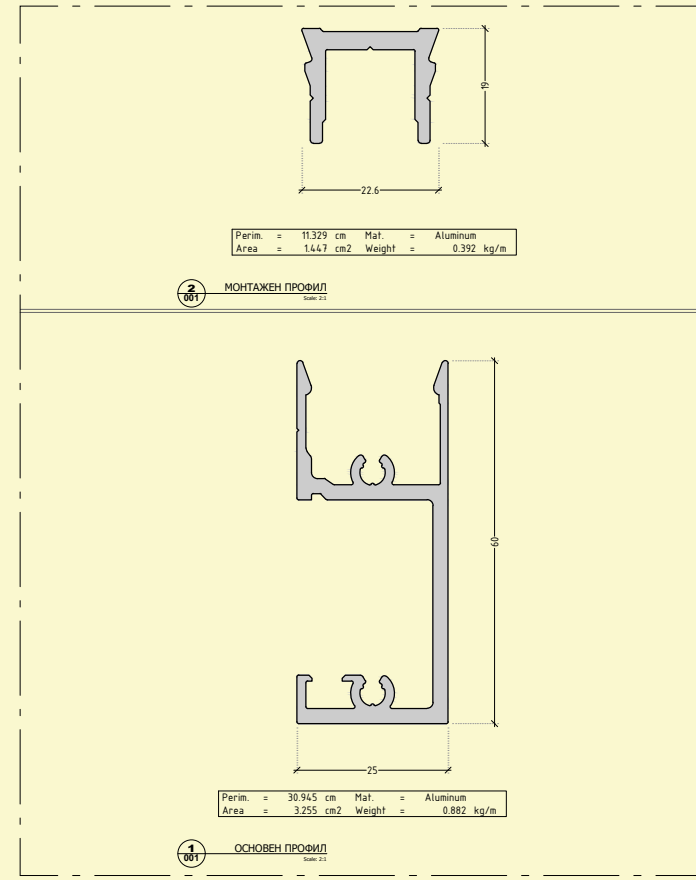
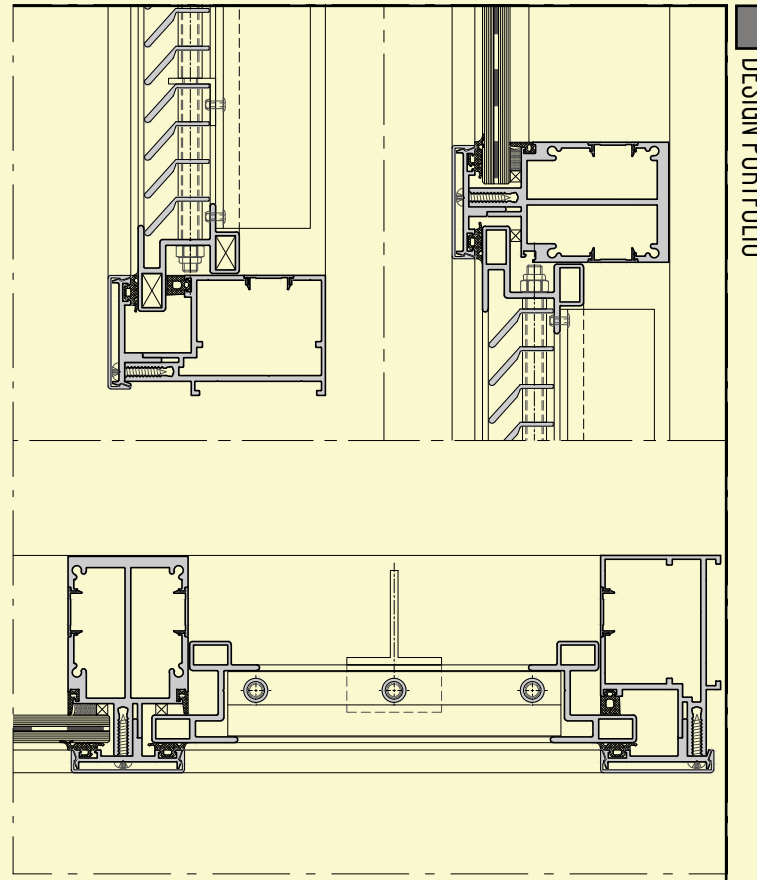
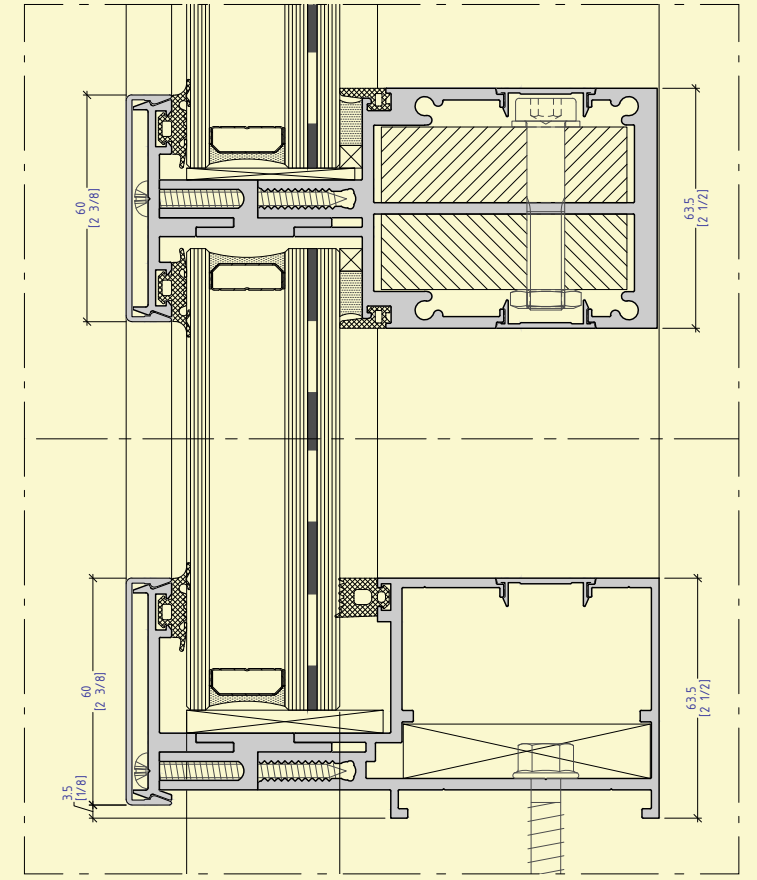
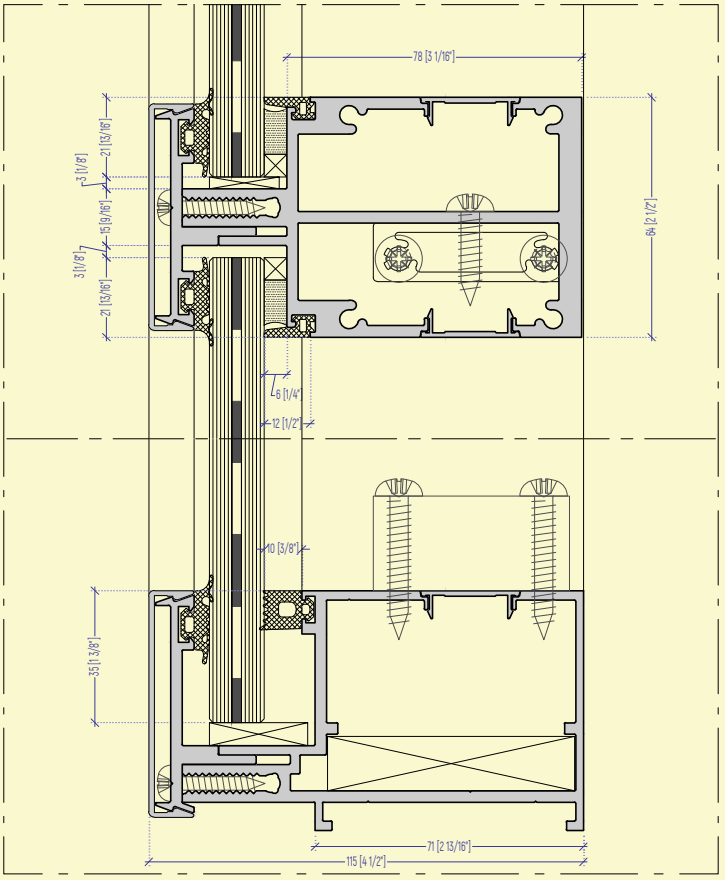
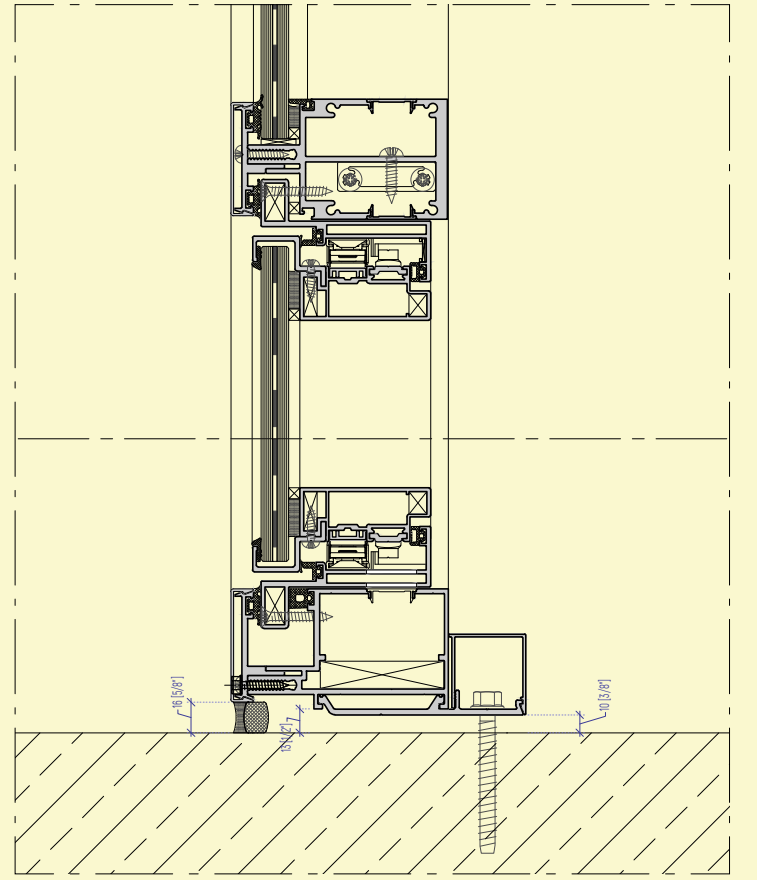
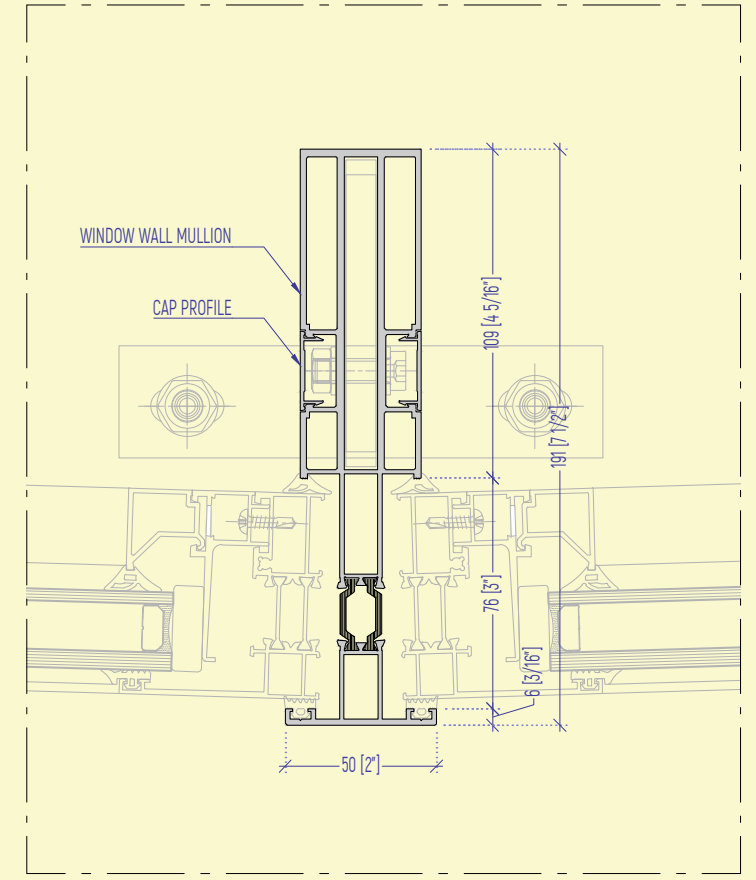
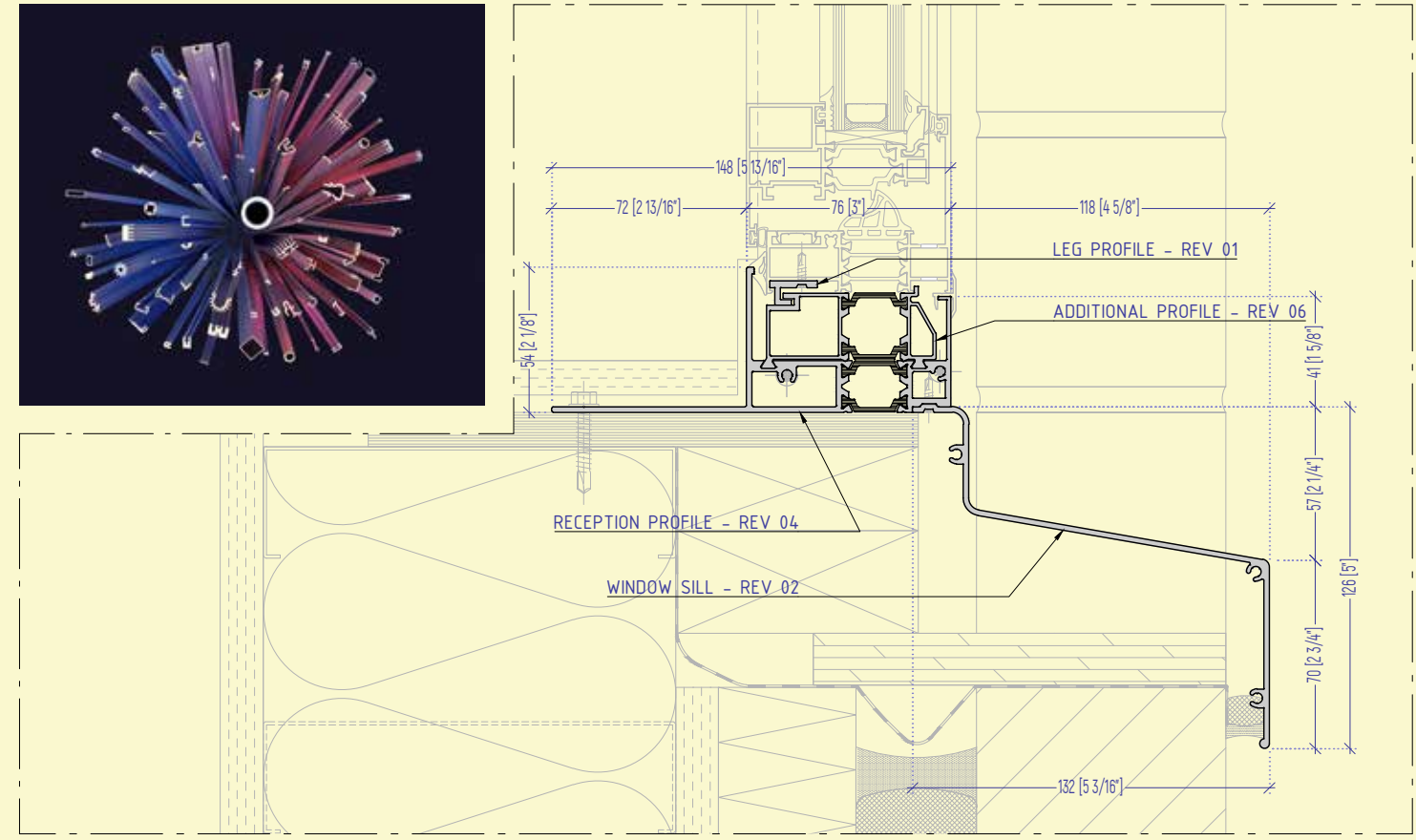


DISE DESIGN ARCHITECT

Date of completion: 2009
 Shop Drawings: 242 pcs @ A4 & 79 pcs @ A3
 Cut Sheets: XX pcs
 Contractor: ETEM



STUDIO CAD
 Scope of Services:
 Design drawings and consultancy services for curtain wall system.